

REVISION

0	DF	C FAITH
2/14/2007 ECN-71505 ISSUE FOR REVIEW.		
1	CW	R GIMMEL
3/21/2007 ECN-73471 BOM ITEM #1; CHG FROM QFSS-26-06.25-D-03 TO QFSS-26-06.25-D-03-A; ADD THE FOOTPRINT LAYOUT		
2	CW	C FAITH
4/11/2007 ECN-74485 SHEET 2, PCB LAYOUT; CORRECT CENTERLINE OF THE A-PINS FROM 2.540 TO 2.490, CENTER GROUND PLANE PADS WITH SIGNAL PADS		

NOT RELEASED FOR PRODUCTION

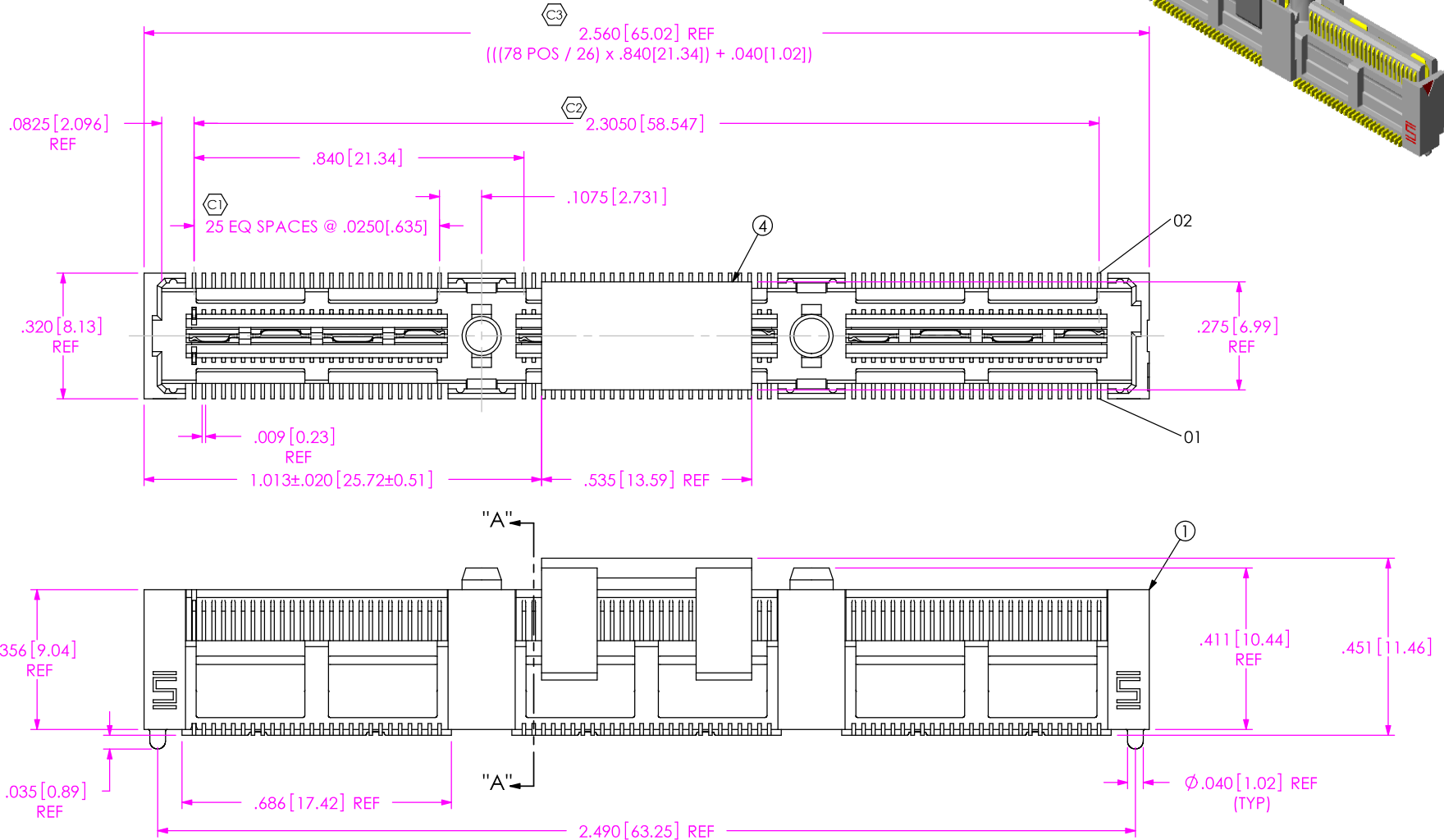
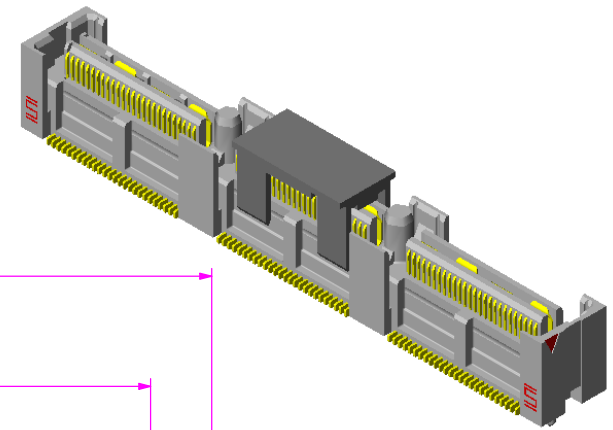
USE FOR QUOTING, PRELIMINARY DESIGN, PROTOTYPING AND INFORMATIONAL PURPOSES ONLY

ACCEPTANCE OF DRAWING
ACCEPTED WITH DEVIATIONS LISTED

DATE: _____
COMPANY: _____
CUSTOMER SIGNATURE _____
PRINTED NAME _____
PHONE NO: _____
FAX NO: _____

NOTES:

1. NOT AVAILABLE AS STANDARD.
2. Ⓢ REPRESENTS A CRITICAL DIMENSION.
3. BURR ALLOWANCE: .0015[0.038] MAX.
4. MINIMUM PUSHOUT FORCE: SIGNAL: .5 LB, GROUND: 1 LB.
5. MAX VARIANCE OF .002[0.05].
6. DIMENSION APPLIES TO CONTACTS & GROUND PLANE.
7. GROUND PLANE PRESS HEIGHT MUST BE .003[0.08] LESS THAN THE MAX HEIGHT OR .001[0.03] GREATER THAN THE MINIMUM HEIGHT OF THE CONTACT.
8. PARTS TO BE PACKAGED IN TRAYS.



ITEM NO.	PART NUMBER	QUANTITY	MATERIAL
1	QFSS-26-06.25-D-03-A	1.00000	VECTRA E130i, COLOR: BLACK
2	C-223-06.25-S	156.00000	PHOS BRONZE, 521 EXTRA SPRING TEMPER
3	T-1G28-06.25-L	3.00000	PHOS BRONZE, 510 FULL HARD TEMPER
4	PPP-51	1.00000	VECTRA E130, COLOR: BLACK

UNLESS OTHERWISE SPECIFIED, DIMENSIONS ARE IN INCHES.
TOLERANCES ARE:
DECIMALS ANGLES
.XX: ±.01[.3] 2°
.XXX: ±.005[.13]
.XXXX: ±.0020[.051]

PROPRIETARY NOTE
THIS DOCUMENT CONTAINS INFORMATION CONFIDENTIAL AND PROPRIETARY TO SAMTEC, INC. AND SHALL NOT BE REPRODUCED OR TRANSFERRED TO OTHER DOCUMENTS OR DISCLOSED TO OTHERS OR USED FOR ANY PURPOSE OTHER THAN THAT WHICH IT WAS OBTAINED WITHOUT THE EXPRESSED WRITTEN CONSENT OF SAMTEC, INC.

DO NOT SCALE DRAWING SHEET SCALE: 2.5:1
PLATING:
CONTACT AREA: .000030 GOLD OVER .000050 NICKEL
REMAINDER: .000200 REF TIN OVER .000050 NICKEL

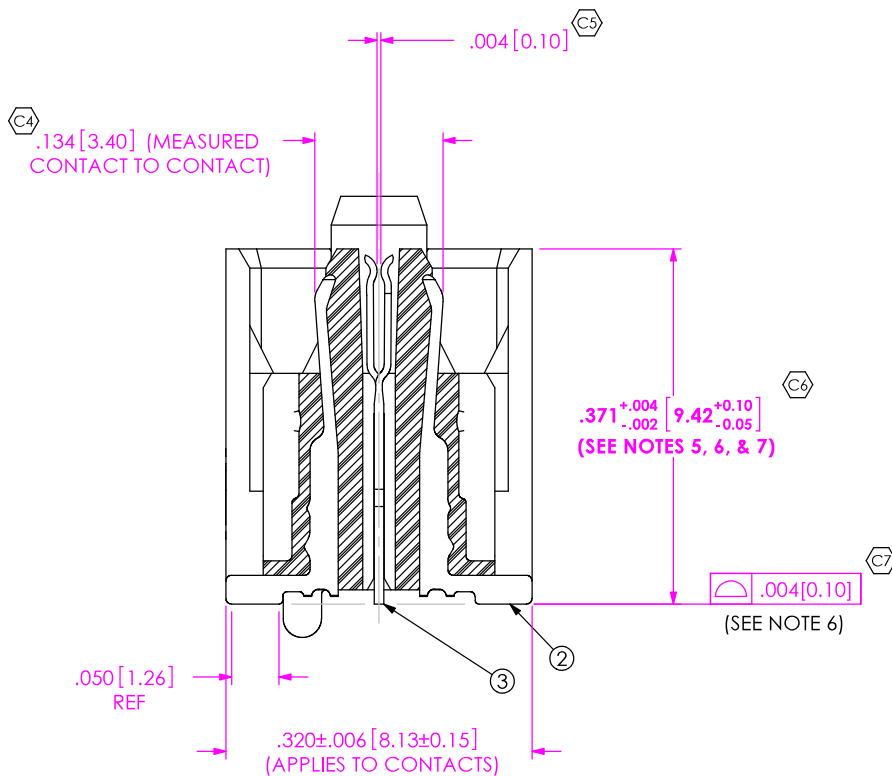
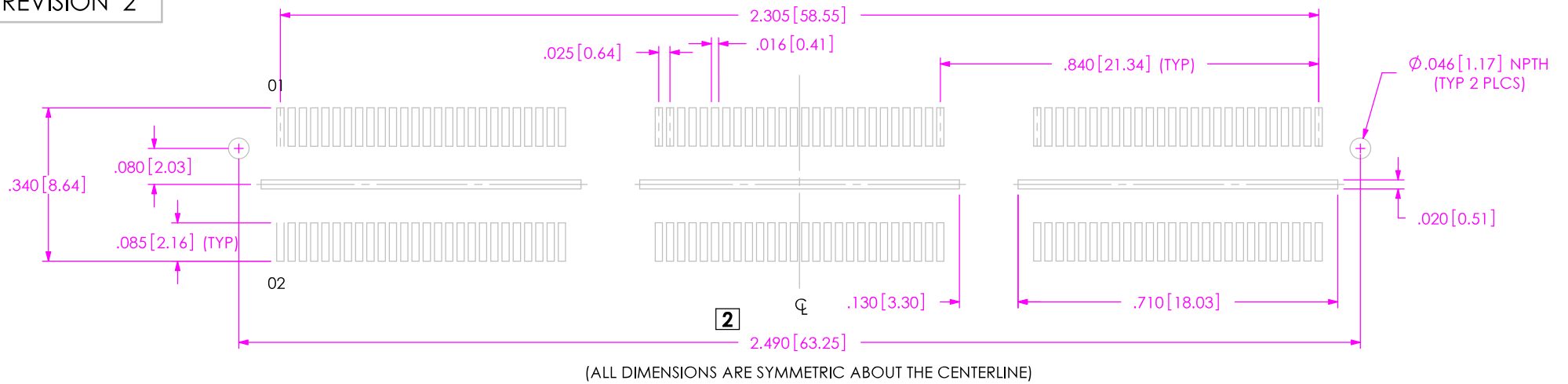
f:\d\wg\sw\asp\129000\asp-129646-03.slddrw

SAMTEC

520 PARK EAST BLVD, NEW ALBANY, IN 47150
* PHONE: 812.944.6733 FAX: 812.948.5047
e-Mail: INFO@SAMTEC.COM CODE: 55322

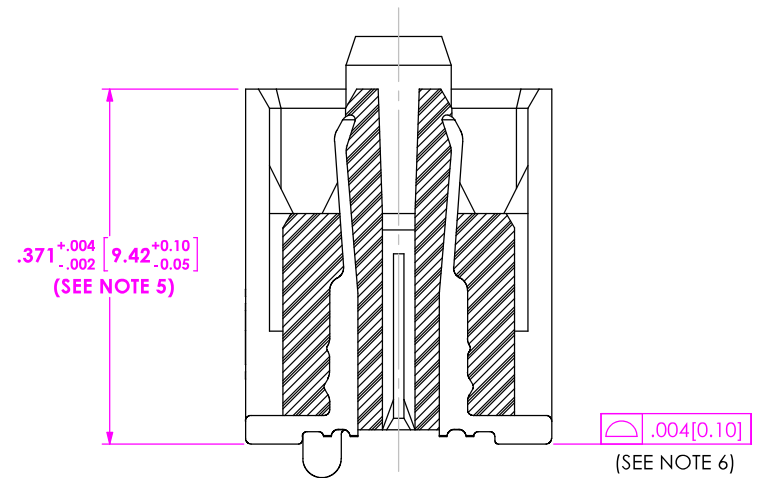
DESCRIPTION: ELEVATED QFS
DWG. NO. ASP-129646-03
BY: D FRALEY 02/14/2007 SHEET 1 OF 2

RECOMMENDED PCB LAYOUT



SECTION "A"- "A"
ITEM 4 NOT SHOWN FOR CLARITY

IN-PROCESS



PROPRIETARY NOTE

THIS DOCUMENT CONTAINS INFORMATION CONFIDENTIAL AND PROPRIETARY TO SAMTEC, INC. AND SHALL NOT BE REPRODUCED OR TRANSFERRED TO OTHER DOCUMENTS OR DISCLOSED TO OTHERS OR USED FOR ANY PURPOSE OTHER THAN THAT WHICH IT WAS OBTAINED WITHOUT THE EXPRESSED WRITTEN CONSENT OF SAMTEC, INC.

SAMTEC

520 PARK EAST BLVD, NEW ALBANY, IN 47150
* PHONE: 812.944.6733 FAX: 812.948.5047
e-Mail: INFO@SAMTEC.COM CODE: 55322

SHEET SCALE: 5:1

DESCRIPTION: ELEVATED QFS

DWG. NO. ASP-129646-03